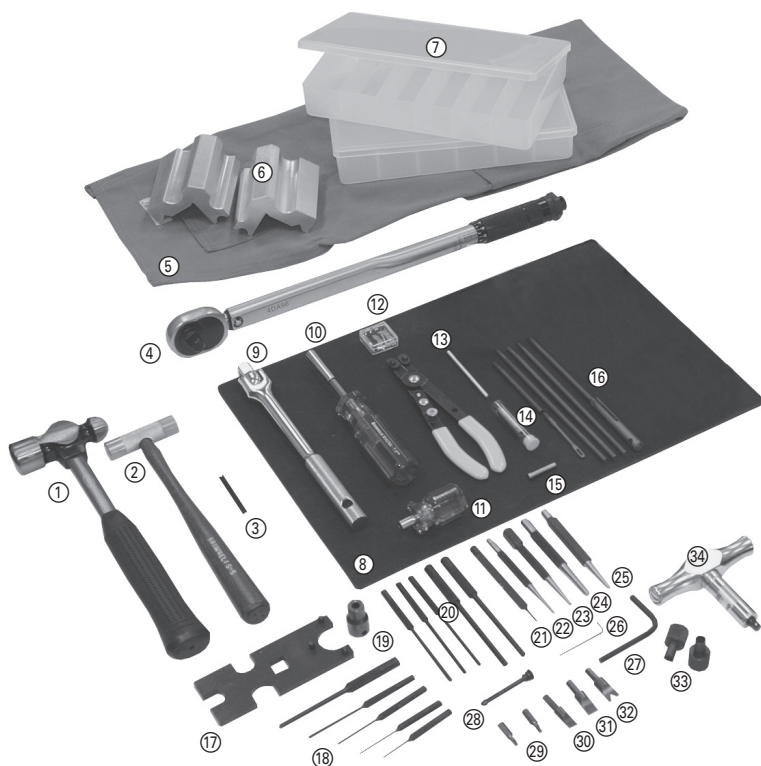




BROWNELLS®

STANDARD COLT AR-15/M16 ARMORER'S KIT

#080-216-000



BROWNELLS GUNSMITHS DATA RING BINDER

SAVE THESE INSTRUCTIONS IN YOUR

THE KIT CONTAINS:

- | | | |
|---|---|--|
| 1) 12 oz. Ballpeen Hammer (1) | 13) Barrel Nut Alignment Gauge (1) | 24) Starrett 1/4" Punch (1) |
| 2) 3/4" Plastic/Brass Hammer (1) | 14) 5.56mm (.223) Headspace Gauge (1) | 25) Starrett 5/32" Center Punch (1) |
| 3) Firing Pin Protrusion Gauge (1) | 15) #250 Chamber Mirror (1) | 26) Pivot Pin Detent Depressor (1) |
| 4) 1/2" Square Drive Torque Wrench (1) | 16) Cleaning Rod Small Arms (w/Adapter) (6 pcs.) | 27) Pivot Pin Detent Installation Tool (1) |
| 5) Shop Apron (1) | 17) Combination Wrench (1) | 28) .223 Rem. Broken Shell Extractor (1) |
| 6) Vise Jaw Set (1) | 18) Roll Pin Punches (5) | 29) 185-2 & 185-10 Hex Bits (1 ea.) |
| 7) Parts Boxes (2) | 19) 5/64" Allen Bit & Socket Drive Adapter (1) | 30) 445-6 Bit (1) |
| 8) Bench Mat (1) | 20) Roll Pin Holders (Starter/Setter Punches) (5) | 31) RED Bit (1) |
| 9) 10 1/2" Long, 1/2" Square Drive Handle (1) | 21) Bolt Catch Pin Punch (1) | 32) LB Bit (1) |
| 10) Magna-Tip® #81 Handle (1) | 22) Starrett 1/8" Punch (1) | 33) A1 Sight Tool (1) & A2 Sight Tool (1) |
| 11) Magna-Tip® Stubby Handle (1) | 23) Taper Pin Starter (1) | 34) 3/8" Square Drive Torque Wrench (1) |
| 12) Snap Ring Pliers (1) | | 35) Custom Tool Case (1) |

Congratulations! Your new Armorer's Kit contains the most comprehensive group of repair and maintenance tools ever offered to the Armorer and Gunsmith for working on the AR-15/M16. This kit was designed with the assistance of key sales and service personnel at Colt Firearms as a part of their effort to put the correct tools in the hands of the people doing the work.

Each tool serves a specific function, and many are unique, one-of-a-kind tools - completely original. No other tool available anywhere will do the same job as well, as effectively, as quickly, or as correctly. All are of the finest quality, made to the most exact specifications.

We are confident you'll enjoy using these tools and making the most of your gunsmithing skills as you perform repairs and maintenance work on the AR-15/M16.